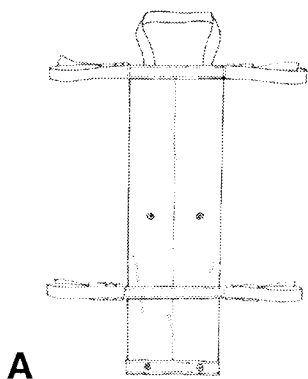
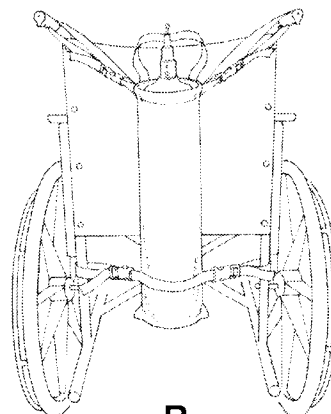


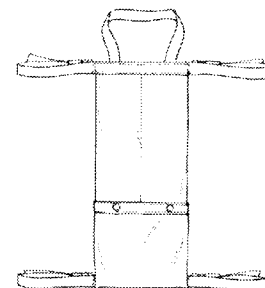
OXYGEN CYLINDER HOLDER



A



B



C

Reorder#	Unit
707027	Each

Purpose

Skil-Care's Oxygen Cylinder Holder is designed to secure all "D" and "E" size oxygen cylinders to standard wheelchairs.

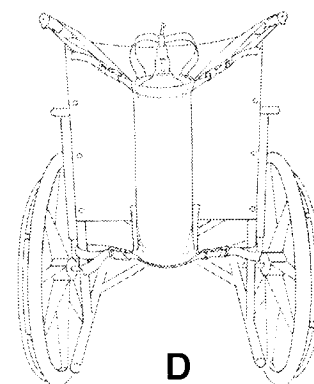
Application

E-Size Cylinder

1. Release snaps and open oxygen cylinder holder to its full length. (Illustration A)
2. Place oxygen cylinder in sleeve. Place top straps on push-handles and secure bottom straps to wheelchair frame. (Illustration B) Tighten all straps to limit movement of cylinder.

D-Size Cylinder

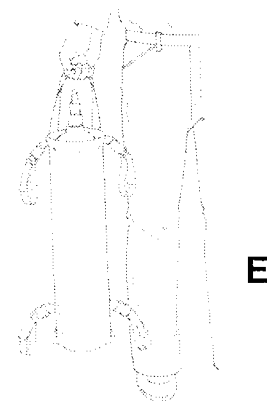
1. Fold bottom of oxygen cylinder holder and secure snaps. (Illustration C)
2. Place oxygen cylinder in sleeve. Place top straps on push-handles and secure bottom straps to wheelchair frame. (Illustration D) Tighten all straps to limit movement of cylinder.



D

Easy Care

Skil-Care's Oxygen Holder wipes clean with a damp cloth and mild cleanser. Do not launder.



E

Use the convenient carry handle to transport the oxygen cylinder.