

TRACH TUBE HOLDER

Re-Order #	Size	Unit
904110	Universal	Dozen

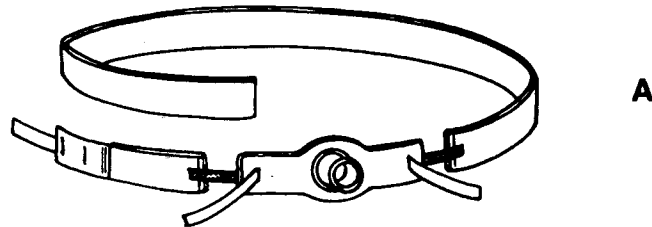


PURPOSE

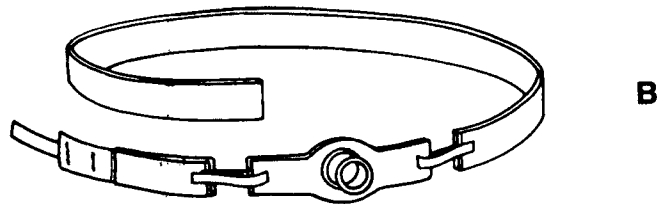
These comfortable, allergy-safe collars are designed to secure all tracheostomy tubes.

APPLICATION

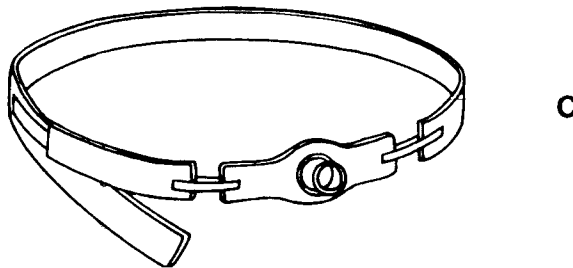
1. Insert narrow hook material strips through holes in the trach tube flange. (Illustration A)



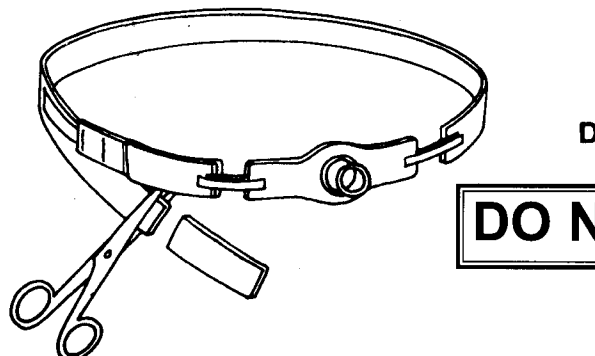
2. Fold strips over flange and secure them to the loop material on the collar. (Illustration B)



3. Adjust for size and secure the wide hook material tab to the collar. (Illustration C)



4. Trim excess collar material. (Illustration D)



DO NOT LAUNDRER